

Domestic Meter

Y290



Efficient Management

Mechanical sensor plus electronic register, with bidirectional communication by BUS.

Hybrid Technology based on Elster's quality & experience.

- Electronic register rotation.
- 2 colour high contrast LCD with 10mm height digits for easy reading and information icons.
- Provides statistical data about consumption, profiles and pricing.
- Frame data transmission according to LP Bus protocol.
- Self powered by an internal battery, typically 12 years in use.
- Dynamic range up to R250 for Q3 2,5 and 4,0m³/h (according to EN 14154).
- Sizes: DN15 & 20mm.
- ISO lengths & threads.
- For water up to 30°.



Performance data

Size			15	20
Max. Flow Rate	Q4 (±2%)	m ³ /h	3,125	5
Nominal Flow Rate	Q3 (±2%)	m ³ /h	2,5	4
Transitional Flow Rate	Q2 (±2%)	l/h	16	25,6
Min. Flow Rate	Q1 (±5%)	l/h	10	16
Starting Flow Rate		l/h	3	5
Press. Loss at Qn		bar	0,6	0,6
Working Press	PN	bar	16	16

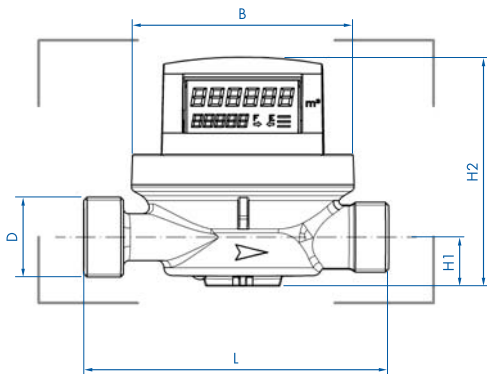
Output data

Display resolution	litre	0,01	0,01
Max. Display	m ³	999.999,99999	999.999,99999

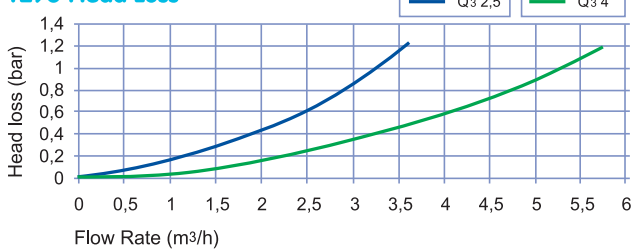
Weights dimensions

Distance across threads	L	mm	110* / 115	115 / 130* / 190
Height	H2	mm	87	87
Height center line	H1	mm	17	18
Width	B	mm	84	84
Threads	D	inch	3/4 x 3/4	1 x 1
Weight aprox.		kg	0,6	0,7

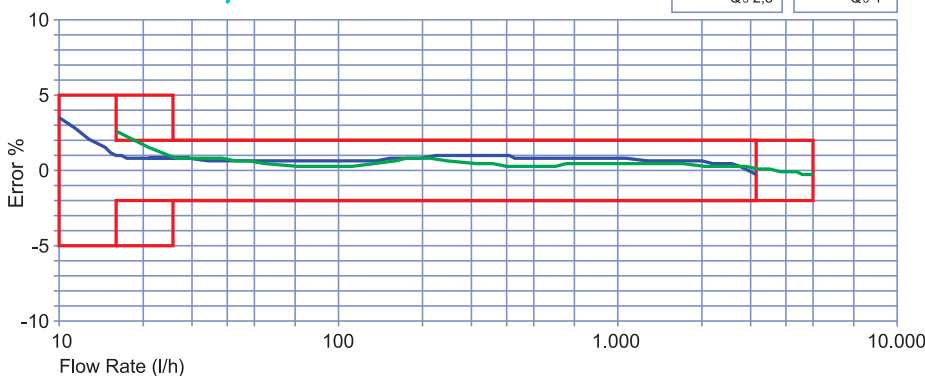
*Check availability



Y290 Head Loss

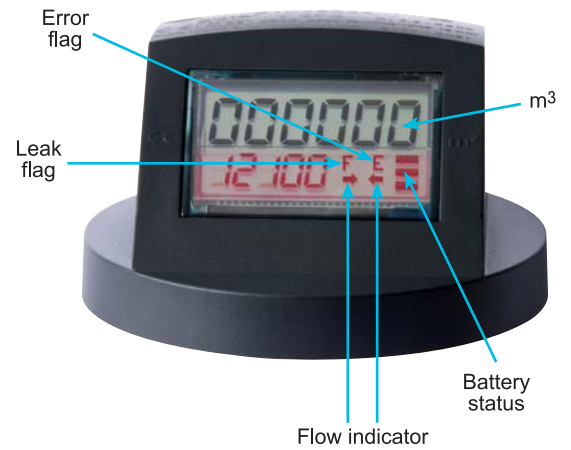


Y290 meter accuracy



WARRANTY:

Meters are warranted for two years from any manufacturing default in his operation and/or materials from the date of delivery. This warranty must be understood as the replacement of the piece or pieces in our workshops. The warranty does not cover damage caused by improper installation, incorrect handling, force majeure, or whether the data provided does not fit the actual conditions of work. By the same, it would be excluded from the security breakdown or failure by the freezing of the fluid is in its interior and the consequent increase in the volume of it. For everything not included in this summary, it must be applied the condition of security, that is available under the terms of Elster.



elster
iberconta

Elster Iberconta, S.A.
C/ Alcalá 95, 6ª Dcha.
Madrid
C.P. 28009
España

Tel.: +34 912 107 230/33
Fax: +34 912 107 231

Elster.iberconta@es.elster.com
www.elster-iberconta.com