



S 100

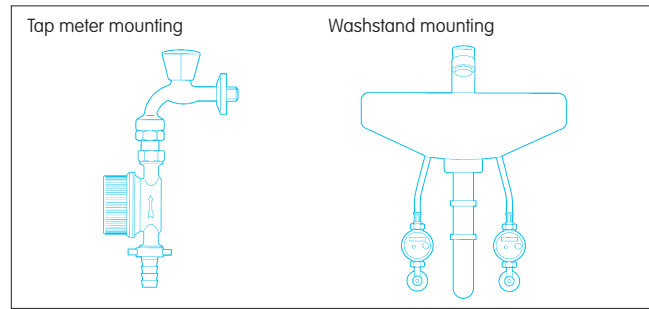
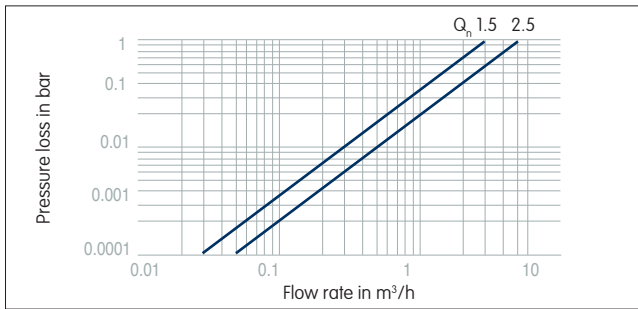
Surface mounting meter PICOFLUX

Prepared for remote metering



| Approval | Approval |
|---|---|
| Cold water up to 30 °C | Hot water up to 90 °C |
|  6.131.92 |  6.331.31 |

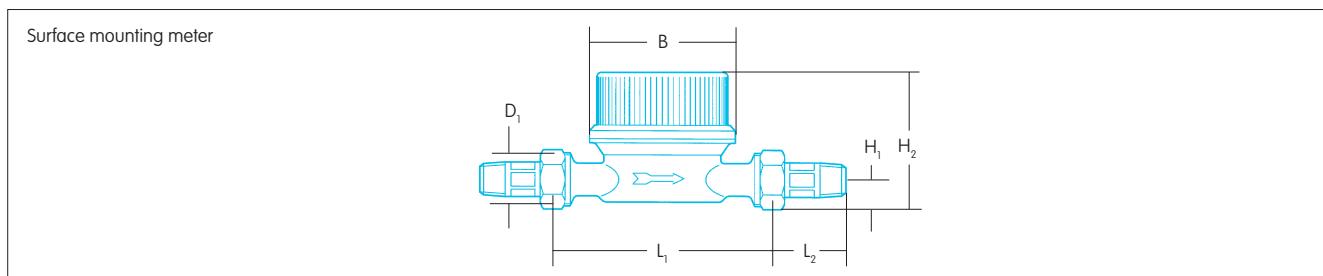
- Single-jet meter dry dial EV-A
- Nominal flow rate Q_n 1.5 and 2.5
- Cold water up to 30 °C, hot water up to 90 °C
- Serially communication interface



| Single-jet meter EV/EV-A | | 1.5 | | 1.5 | | 1.5 | | 2.5 | |
|--------------------------------------|-------------------------------|---------|---------|---------|---------|---------|---------|---------|---------|
| Meter size / Nominal flow rate | Q_n m ³ /h | 1.5 | 1.5 | 1.5 | 1.5 | 1.5 | 1.5 | 2.5 | 2.5 |
| Nominal size | DN mm | 15 | 15 | 15 | 15 | 20 | 20 | 20 | 20 |
| | DN inches | 1/2 | 1/2 | 1/2 | 1/2 | 3/4 | 3/4 | 3/4 | 3/4 |
| Ordering number | Initial certification class A | | | | | | | | |
| EV-A with communication interface | T_{max} 30 °C | 0708917 | 0709042 | 0709093 | 0709182 | 0709190 | 0709134 | 0709174 | 0709174 |
| | T_{max} 90 °C | 0708968 | 0709085 | 0709123 | 0709190 | 0709190 | 0709174 | 0709174 | 0709174 |
| EV-P pulse type register | T_{max} 30 °C | 1164488 | 1164615 | 1164631 | 1164666 | 1164666 | 1164704 | 1164704 | 1164704 |
| 1 pulse/100 litres | T_{max} 90 °C | 1164607 | 1164623 | 1164658 | 1164674 | 1164674 | 1164712 | 1164712 | 1164712 |
| D_1 Meter connection thread | ISO 228/1 inches | G 3/4 B | G 3/4 B | G 3/4 B | G 1 B | G 1 B | G 1 B | G 1 B | G 1 B |
| B Width | mm | 70 | 70 | 70 | 70 | 70 | 70 | 70 | 70 |
| L_1 Length without connection | mm | 80 | 110 | 130 | 130 | 130 | 130 | 130 | 130 |
| L_2 Connector length | mm | 40 | 40 | 40 | 50 | 50 | 50 | 50 | 50 |
| H_1 Centerline height | mm | 17 | 17 | 17 | 21 | 21 | 21 | 21 | 21 |
| H_2 Overall height | mm | 73 | 69 | 69 | 72 | 72 | 72 | 72 | 72 |
| Weight | kg | 0.40 | 0.45 | 0.53 | 0.55 | 0.55 | 0.55 | 0.55 | 0.55 |
| Performance characteristics | | | | | | | | | |
| Horizontal/riser installation | | | | | | | | | |
| Maximum flow rate | Q_{max} m ³ /h | 3 | 3 | 3 | 3 | 3 | 3 | 3 | 5 |
| Transitional flow rate | Q_t l/h | 150 | 150 | 150 | 150 | 150 | 150 | 150 | 150 |
| Minimum flow rate | Q_{min} l/h | 60 | 60 | 60 | 60 | 60 | 60 | 60 | 100 |
| Continuous load | l/h | 1 500 | 1 500 | 1 500 | 1 500 | 1 500 | 1 500 | 1 500 | 2 500 |
| Temperature | T_{max} °C | 30 / 90 | 30 / 90 | 30 / 90 | 30 / 90 | 30 / 90 | 30 / 90 | 30 / 90 | 30 / 90 |
| Pressure rating | PN | 16 | 16 | 16 | 16 | 16 | 16 | 16 | 16 |
| Flow capacity at 1 bar pressure loss | m ³ /h | 3.11 | 3.08 | 3.05 | 3.08 | 3.08 | 3.08 | 3.08 | 5.1 |

| Reading modules | Manufacturer | Type | Ordering information |
|-----------------|---|--|--|
| M-bus | ELSTER Messtechnik | TMP-A | 0793337 |
| Radio | Qvedis (for. Siemens) Kundo Ost-West Innovation Sontex | WFZ16.EL rmw4e O-W-I Sontex 580 | www.qvedis.com www.kundo.de www.o-w-i.com www.sontex.ch |

| Accessories | Dimensions/inches | Ordering number |
|--------------------|---|-----------------|
| Tap meter mounting | Thread- and house connexion G 3/4 | 0160583 |
| Washstand mounting | Connexion angle valve R 3/8 with nut G 3/4 | 0127142 |
| | Connexion copper pipe 10 mm R 3/8 x 10 - G 3/4 | 0127135 |
| | Flexible metal tube R 3/8 x 10 - G 3/4 | 0159269 |



ELSTER Messtechnik GmbH
 Otto-Hahn-Strasse 25
 68623 Lampertheim, Germany
 T +49 (0) 62 06 933 0
 F +49 (0) 62 06 933 100
 E messtechnik@de.elster.com
 www.elstermesstechnik.com
 S100_D_02.03e / 08.08
 Changes without notice



| | |
|--------------|------------------------------|
| EV-P | |
| Contact load | Reed switch |
| Connexion | Fixed cable, sideways, 1.5 m |
| Contact load | max. 30 V DC, 50 mA |