

Domestic meter

S100P



Recyclable and functional

Single jet functional meter for domestic use, class B accuracy, with pulse output and C.E. accreditation for installing both horizontal and vertical.

Elster's quality and experience, on its lighter and more ecological version.

- Dry type, 360° rotating register.
- Four m³ rollers.
- Bi-directional pulser pre-installation.
- Magnetic drive.
- Class B accuracy.
- Lighter body, on plastic polymer.
- Sizes: DN13 and DN15 mm.
- Length: 115 mm.
- Protected against moisture and shocks.
- Dismantled lid.
- Low headloss.
- For water up to 30 °C.

Plastic
polymer
body



Performance Data

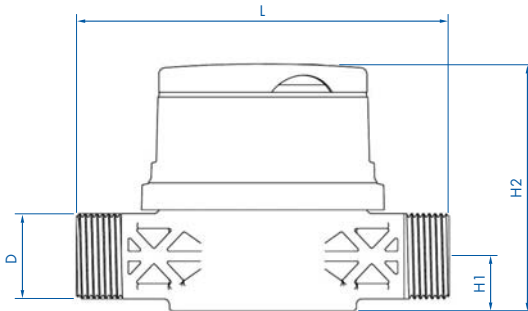
Size	13 / 15		
Max. Flow Rate	q _{max} (±2%)	m ³ /h	3
Permanent Flow Rate	q _n (±2%)	m ³ /h	1,5
Transitional Flow Rate	q _t (±2%)	l/h	120
Min. Flow Rate	q _{min} (±5%)	l/h	30
Starting Flow Rate		l/h	<12
Press. Loss at Q ₃	Q _n	bar	0,25
Nominal Press	PN	bar	10

Output data

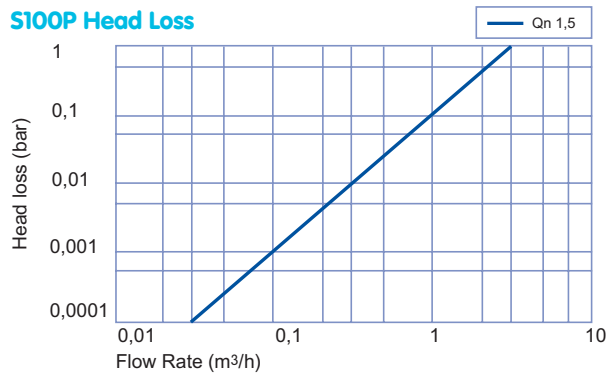
Display Resolution	l	0,05
Max. Displayed	m ³	9999
Pulse output	l/p	1

Weights & Dimensions

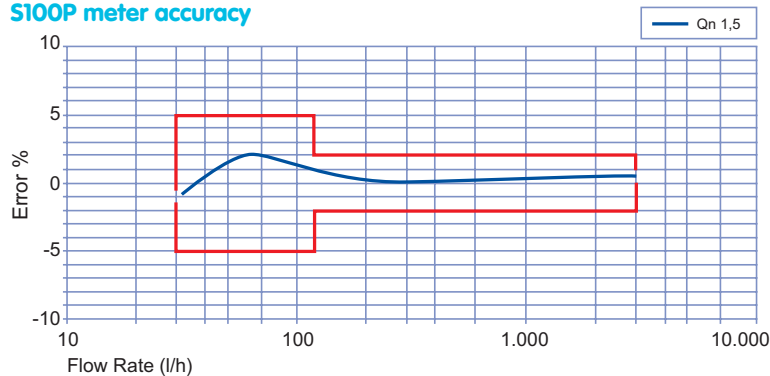
Distance across threads	L	mm	115
Height lib opened	H3	mm	130
Height lib closed	H2	mm	69
Height center line	H1	mm	17
Width	B	mm	70
Threads	D	pulg	7/8 x 3/4 3/4 x 3/4
Weight aprox.		kg	0,25



S100P Head Loss



S100P meter accuracy



WARRANTY:

Meters are warranted for two years from any manufacturing default in his operation and/or materials from the date of delivery. This warranty must be understood as the replacement of the piece or pieces in our workshops. The warranty does not cover damage caused by improper installation, incorrect handling, force majeure, or whether the data provided does not fit the actual conditions of work. By the same, it would be excluded from the security breakdown or failure by the freezing of the fluid in its interior and the consequent increase in the volume of it. For everything not included in this summary, it must be applied the condition of security, that is available under the terms of Elster.



elster
iberconta

Elster Iberconta, S.A.
C/ Alcalá 95, 6ª Dcha.
Madrid
C.P. 28009
España

Tel.: +34 912 107 230/33
Fax: +34 912 107 231

Elster.iberconta@es.elster.com
www.elster-iberconta.com