

## M170 Multi-jet cold water meters

The M170 is a multi-jet water meter that has been designed for very accurate water measurement.

All parts are manufactured by Elster to the highest specifications and the latest test procedures prove every meter's accuracy prior to despatch.

The meter is approved to ISO4064 Class B in the horizontal position, Class A in the vertical position.



### Robustness

The meter is capable of high flows for a short period of time. The meter is manufactured from the highest quality materials for maximum resistance to wear and corrosion. One example of this, is the jewelled rotor bearings which are used to provide flow sensitivity and long life. All Elster meters have a mesh filter for added protection against debris.

Water meters should be accessible for easy reading and installed in a frost protected area. Failure to do so may result in damage to the internal parts and external body of the meter. This could lead to reduced accuracy, incorrect meter readings and the possibility of leakage.

### Registers

The register is super dry and guarantees excellent security through a snap-fit locking system. The register has 360° rotation, ensuring easy readability. A copper can register with a glass lens is also available.

### Accuracy

The meter meets ISO4064, EEC and NBR NM212 approvals.

### Security

Elster meters have a number of security features which protect it from tampering.

- Snap-fit locking register and shroud system.
- Anti-fraud ring that will prevent the meter being opened after installation.
- Reliable anti-fraud indication system, which allows tampering to be detected.

### Maintenance costs

The meter has been designed to make repairs fast and easy, decreasing maintenance costs.

### Calibration

The meter has external calibration.

### Management information

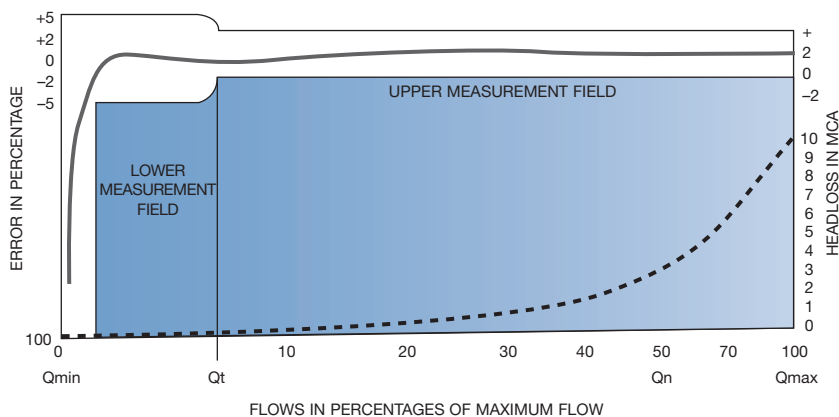
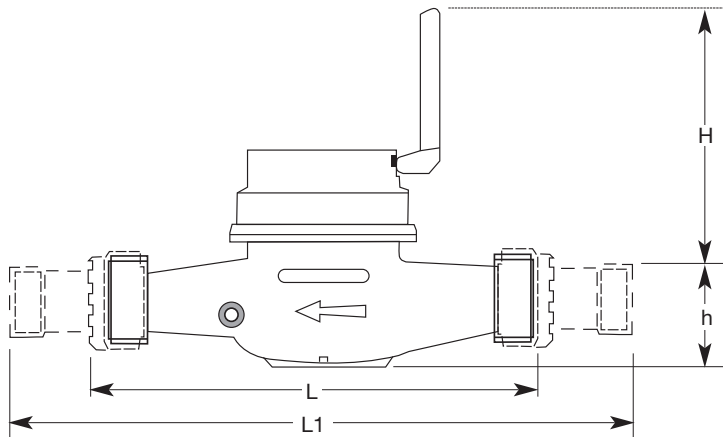
Valuable management information can be obtained via a pulse unit available on the plastic register version.

## Performance

Size of meter		m <sup>3</sup> /h	3	5	7	12	20
Class			B-H/A-V	B-H/A-V	B-H	B-H	B-H
Nominal diameter		mm	15-20	15-20	25	30	40
		ins	½ - ¾	½ - ¾	1	1¼	1½
Overload flow rate	qs±2%	m <sup>3</sup> /h	3.0	5.0	7.0	12.0	20.0
Permanent flow rate	qp±2%	m <sup>3</sup> /h	1.5	2.5	3.5	6.0	10.0
Transitional flow rate	qt±2%	l/h	120-H/150-V	200-H/250-V	280	480	800
Minimum flow rate	qmin±5%	l/h	30-H/60-V	50-H/100-V	70	120	200
Maximum operating temperature		°C	40	40	40	40	40
Maximum operating pressure		kgf/cm <sup>2</sup>	10	10	10	10	10
Low volume indicator		litres	0.05	0.05	0.05	0.05	0.05
High volume indicator		m <sup>3</sup>	9,999 or 99,999	9,999 or 99,999	9,999 or 99,999	99,999	99,999
Output pulse		litre/pulse	1.0	1.0	1.0	1.0	1.0

### Dimensions

Length	(L)	mm	165-190	260	260	300
	(L1)	mm	243-284	374	374	434
Height	(H)	mm	127	147.2	147.2	150.2
	(h)	mm	28.5-30.0	47	47	58.5
Width		mm	82	101	101	125
Weight without connectors		kg	0.54 / 0.56	2.0	2.1	3.7
Weight with connectors		kg	0.76 / 0.92	2.51	2.91	4.75
Meter connection thread		ins	G ¾ B - G 1 B	G 1¼	G 1½	G 2
Pipe connection thread		ins	R ½ - R ¾	R 1	R 1¼	R 1½



PRESSURE CURVE: - - -  
 ERROR LOSS: ———

Elster Metering Limited  
 130 Camford Way  
 Sundon Park  
 Luton LU3 3AN  
 United Kingdom  
 +44 (0)1582 402020  
 water.metering@gb.elster.com  
 www.elstermetering.com

### Pressure equipment directive 97/23/EC

This product is applicable in networks for the supply, distribution and discharge of water and associated equipment and is therefore exempt.

### WEEE producer identification number

WEE/EJ0221XT/PRO

The Company's policy is one of continuous improvement and the right is reserved to modify the specifications without notice.