

M 110

Multi-jet Meter ARTIST

Master of all classes
with enclosed roller counter

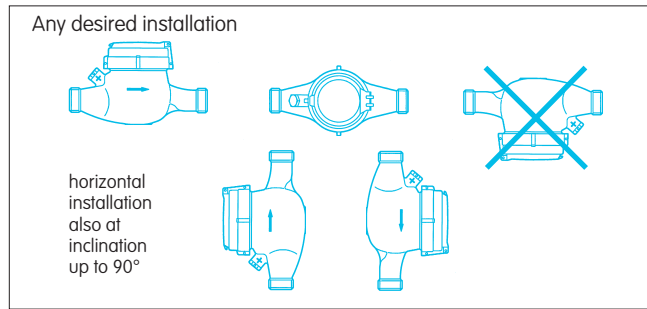
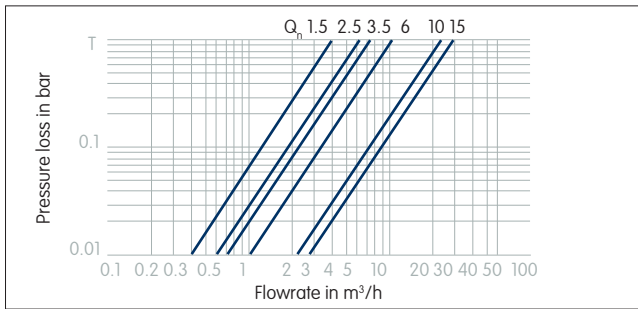


EEC approval
Cold water up to 30 °C
C 82
6.131.42
Q _n 1.5 ... 3.5

EEC approval
Cold water up to 30 °C
C 98
6.131.04
Q _n 6 ... 15

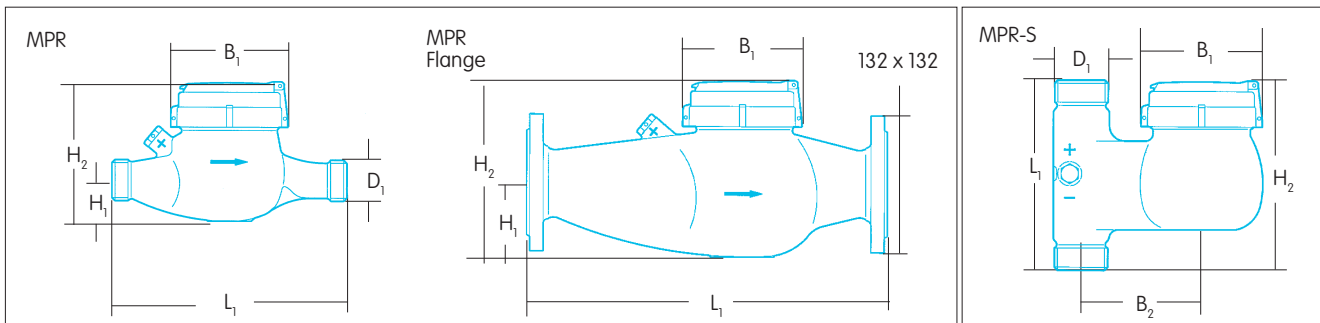
- Semi-dry-dial meter for cold water with enclosed roller counter
- Nominal flowrate Q_n 1.5 to 15 m³/h
- EEC approval metrological class C·H/B·V
- Universal mounting positions
- ELSTER conText® inscription system
- Optionally retrofittable with pulse contactors





Multi-jet meter ARTIST			MPR							MPR-S				
Meter size /														
Nominal flowrate	Q_n	m ³ /h	1.5	2.5	3.5	6	6	10	15	15	1.5	2.5	6	10
Nominal size	DN	mm	15	20	25	25	32	40	50	50	20	20	25	40
	DN	inches	1/2	3/4	1	1	1 1/4	1 1/2	2	2	3/4	3/4	1	1 1/2
Ordering number														
Initial calibration B-H/B-V														
Standard			0755370	0755397	0755419	0755427	0755435	0755443	0755451	0755478	0755508	0755516	0755532	0755559
Preparation for pulse														
	100 litres/1 pulse		0757349	0757365	0757373	0757381	0757403	0757411	0757438	0757446	0757470	0757489	0757500	0757527
	1000 litres/1 pulse		0757586	0757608	0757616	0757624	0757632	0757640	0757659	0757667	0757691	0757705	0757721	0757756
Dimensions														
D_1	Meter conn. thread	inches	G 3/4 B	G 1 B	G 1 1/4 B	G 1 1/4 B	G 1 1/2 B	G 2 B	G 2 1/2 B	Flange	G 1 B	G 1 B	G 1 1/4 B	G 2 B
	ISO 228/1													
	Conn. pipe thread	inches	R 1/2	R 3/4	R 1	R 1	R 1 1/4	R 1 1/2	R 2	—	R 3/4	R 3/4	R 1	R 1 1/2
L_1	Meter length	mm	165	190	260	260	260	300	270*	270*	105	105	150	200
	Connector length	mm	40	50	60	60	60	70	60	—	50	50	60	70
B_1	Width	mm	100	100	100	100	100	100	100	100	100	100	100	100
B_2	Distance	mm	—	—	—	—	—	—	—	—	80	80	94	120
H_1	Centerline height	mm	31	31	43	43	43	46	46	68	—	—	—	—
H_2	Overall height	mm	115	115	130	130	130	153	153	160	135	135	151	195
	Weight	kg	1.5	1.5	2.5	2.5	2.5	3.7	4.5	8.5	1.8	1.8	2.6	5.5
Performance characteristics														
Horizontal installation														
Flowrate														
	Maximum	Q_{max}	3	5	7	12	12	20	30	30	3	5	12	20
	Transitional	Q_{1}^{**}	18	30	30	55	55	100	150	150	18	30	55	100
	Minimum	Q_{min}^{**}	10	18	18	30	30	60	75	75	10	18	30	60
	Starting flow		3.5	5.5	5.5	12	12	14	20	20	3.5	5.5	12	14
Continuous load														
	approx. $1.6 \times Q_n$	l/h	2 500	4 000	5 600	10 000	10 000	16 000	25 000	25 000	2 500	4 000	10 000	16 000
	Temperature	T_{max}	30	30	30	30	30	30	30	30	30	30	30	30
	Pressure rating	PN	16	16	16	16	16	16	16	16	16	16	16	16
	Flow capacity at 1 bar pressure loss	m ³ /h	4.4	6.7	7.2	12.8	12.8	22	32	32	4.0	6.7	12.8	22

* 300 m on request ** typical performance characteristics, exceeds the demands of the metrological class C



ELSTER Messtechnik GmbH
 Otto-Hahn-Strasse 25
 D-68623 Lampertheim
 T +49 (0) 62 06 933 0
 F +49 (0) 62 06 933 100
 E messtechnik@de.elster.com
 www.elstermesstechnik.com
 M110_D_01.12e / 04.10
 Changes without notice



Reed Disc with tamper detection
 Type Reedswitch potted, protection IP 68
 Contact load max. 24 V DC, 50 mA
 Resistance 100 Ohm
 Cable 3 x 0.14 mm²
 Ø 3.3 mm
 Pulse contact brown – white
 Tamper contact green – white
 Cable length 3 m

Ordering number
 100 litres/1 pulse 0000998
 1000 litres/1 pulse 0000999

