



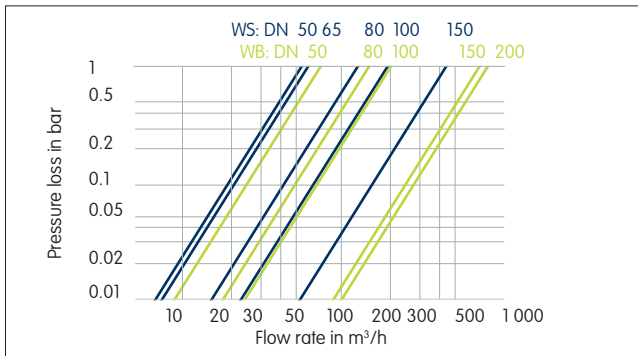
H 4200 Woltmann Meter

Hydraulically balanced rotor
for sensitive start-up



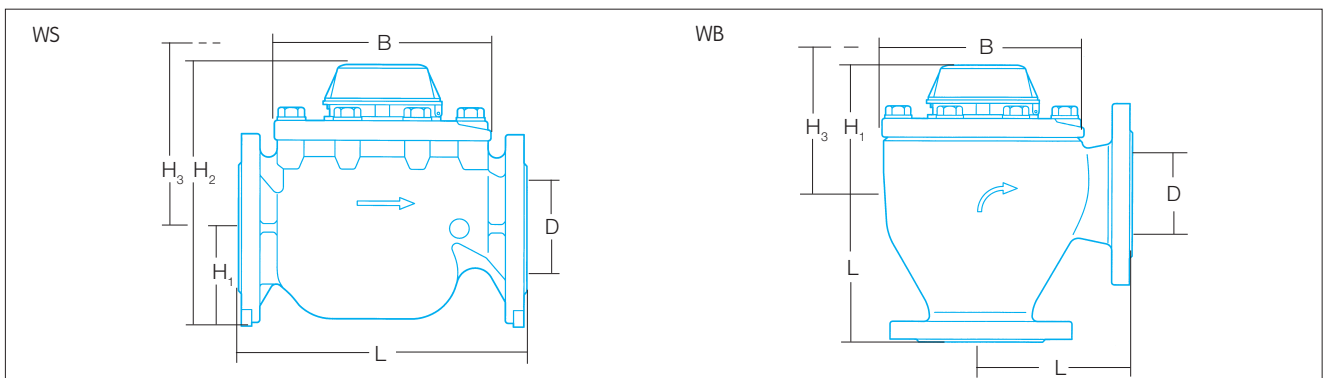
Approval	Approval
Cold water up to 30 °C	Cold water up to 30 °C
 96	 85
6.132.38	6.132.19
DN 50 to 100	DN 150 to DN 200

- Woltmann meter WS / WB for cold water
- Nominal size DN 50 to 200 for horizontal installation
- Waterproof register IP 68
- Serial communication interface



Woltmann Meter		H 42000 WS					WB					
Nominal size/Connection flange	DN	mm	50	65	80	100	150	50	80	100	150	200
Meter size/Nominal flow rate	Q_n	m^3/h	15	25	40	60	150	15	40	60	150	250
Ordering number	Initial certification class B											
PN 10	4-hole (old standard)		—	—	0794686	—	—	—	0794805	—	—	0794856
PN 16			0794651	0794678	0794694	0794708	0794716	0794791	0794813	0794821	0794848	0794864
L Length/Leg-Length												
DIN 19 625	mm		270	300	300	360	500	—	—	—	—	—
DIN 28 537	mm		—	—	—	—	—	150	180	180	220	260
DIN 28 637 (on request)	mm		—	—	—	—	—	150	165	165	220	260
B Width	mm		173	173	239	239	310	173	239	239	310	355
H ₁ Centerline height	mm		85	97	102	113	141	173	185	195	240	285
H ₂ Overall height	mm		240	250	300	320	515	—	—	—	—	—
H ₃ Height measuring insert	mm		260	260	350	360	640	260	345	360	505	605
Weight	kg		14.5	24	28			16	32	38	72	130
Performance characteristics												
Maximum flow rate	Q_{max}	m^3/h	50	50	110	180	350	35	110	180	350	600
Transitional flow rate	Q_1	m^3/h	1.5	2	2.5	3	10	1.5	3	4	10	40
Minimum flow rate	Q_{min}	m^3/h	0.2	0.2	0.25	0.3	0.8	0.2	0.28	0.35	0.8	4
Continuous load		m^3/h	20	25	55	90	200	20	55	90	200	300
Temperature	T	°C	50	50	50	50	50	50	50	50	50	50
Pressure rating	PN	bar	16	16	10/16	16	16	16	10	16	16	16
Flow capacity	at 0.1 bar pressure loss	m^3/h	> 19	> 21	> 42	> 70	> 160	> 25	> 50	> 75	> 250	> 295

Falcon pulse module	PR7	DN 50 – DN 100	DN 150 + DN 200	Ordering number
		1 litres/pulse and 10 litres/pulse	10 litres/pulse and 100 litres/pulse	2925M1224
		1 litres/pulse and 100 litres/pulse	10 litres/pulse and 1000 litres/pulse	2925M1263
		1 litres/pulse and 1 000 litres/pulse	10 litres/pulse and 10000 litres/pulse	2925M1264
Falcon radio module	TPR7 RF	internal antenna 868 MHz		2925M1276
	TPR7 RF	external antenna (2 m) 868 MHz		2925M1277
Falcon M-Bus module	PR7 M	DIN EN 13 757 M-Bus		2925M1269



ELSTER Messtechnik GmbH
 Otto-Hahn-Strasse 25
 68623 Lampertheim
 Germany
 T +49 (0) 62 06 933 0
 F +49 (0) 6206 933 100
 E messtechnik@de.elster.com
 www.elstermesstechnik.com



H4200_D_03.02e / 10.08
 Changes without notice and
 falcities excepted